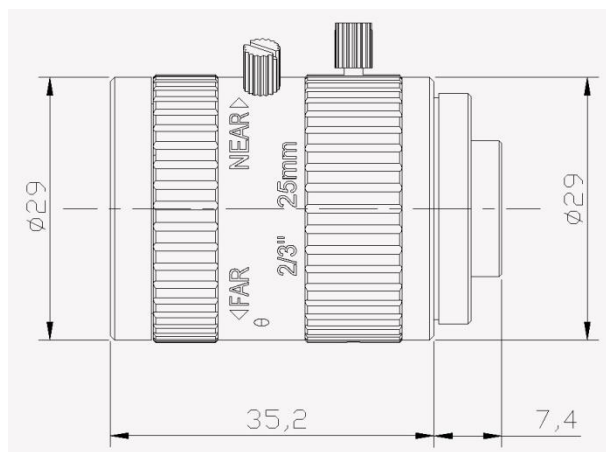


1000      2/3" C      ZLKC  
    f=25mm



1000		25mm		C Mount		Working Distance	Magnification	2/3" Field of View(mm)	
Model		VM2528MP10		mm	X			H	V
Image Size		2/3-inch		1000	0.025X	333.01	276.79		
Focal length		25mm		900	0.028X	299.19	248.67		
F No.		F2.8-16		850	0.029X	282.26	234.60		
M.O.D(m)		0.15-Inf.		800	0.031X	265.35	220.55		
Operation	Iris	Manual		750	0.033X	248.42	206.48		
	Focus	Manual		700	0.036X	231.49	192.41		
Angle of View (D×H×V)	2/3"	24.8°×19.9°×15.0°		650	0.038X	214.59	178.36		
	1/2"	18.2°×14.6°×11.0°		600	0.042X	197.68	164.31		
	1/3"	13.7°×10.9°×8.2°		550	0.045X	180.77	150.25		
TV Distortion		-0.02%		500	0.050X	163.85	136.18		
BFL		10.31mm		450	0.056X	146.94	122.13		
Flange FL		17.526mm		400	0.063X	130.01	108.06		
Mount		C-Mount		350	0.071X	113.08	93.99		
2/3"FOV		45.3mm×37.7mm(WD=150mm)		300	0.083X	96.17	79.93		
Dimension		29×35.2mm		250	0.100X	79.25	65.87		
Weight		54.8g		200	0.125X	62.31	51.79		
Filter		M27 P=0.5mm		150	0.167X	45.38	37.72		
Working Temperature		-20°C +60°C		100	0.250X	29.26	24.32		