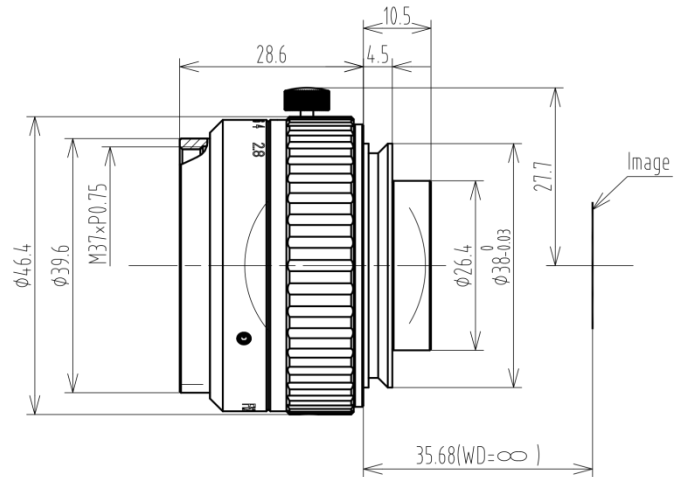


CB  
4 M  
伏



### 大靶面 ( 43.2mm ) 40mm 焦距 线扫镜头

|                      |                        |                        |                    |                        |
|----------------------|------------------------|------------------------|--------------------|------------------------|
| Model                | <b>TM4004K10</b>       |                        |                    |                        |
| Max Image Circle     | 43.2                   |                        |                    |                        |
| Focal length         | 40mm                   |                        |                    |                        |
| F No.                | F2.8                   |                        |                    |                        |
| Distortion           | <0.5%                  |                        |                    |                        |
| Operation            | Iris                   | Manual                 |                    |                        |
|                      | Focus                  | Manual                 |                    |                        |
| (Flange BFL)         | 37.31mm/40.1mm/49.34mm |                        |                    |                        |
| Mount                | V-Mount                |                        |                    |                        |
| Dimension            | 46.4×28.6mm            |                        |                    |                        |
| Filter               | M37x 0.75              |                        |                    |                        |
| Working Temperature  | -20°C +60°C            |                        |                    |                        |
| Working Distance(mm) | Optical Magnification  | Conjugate Distance(mm) | Image Distance(mm) | 43.2 Field of View(mm) |
| 1051.4 5             | 0.04X                  | 1117.3 9               | 27.65 2.5          | 1085.3                 |
| 400 5                | 0.1X                   | 468.67 9               | 30.43 2.5          | 402.9                  |
| 140.7 5              | 0.33X                  | 218.65 9               | 39.68 2.5          | 130.8                  |

